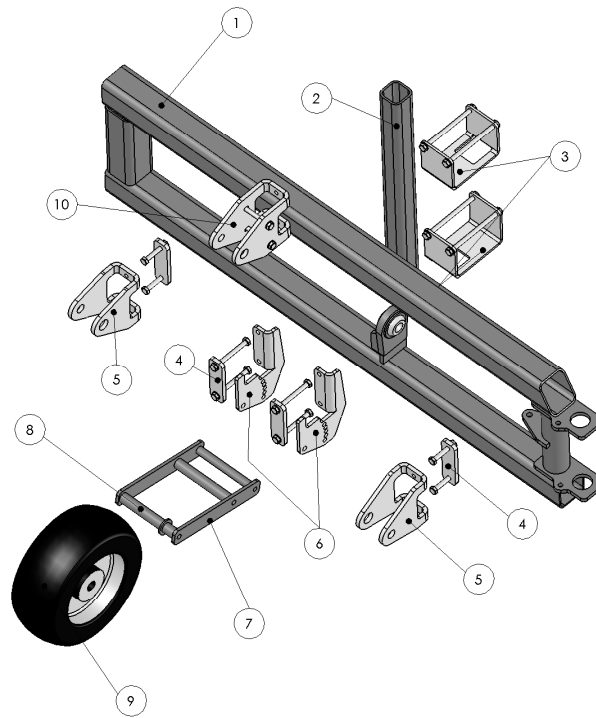


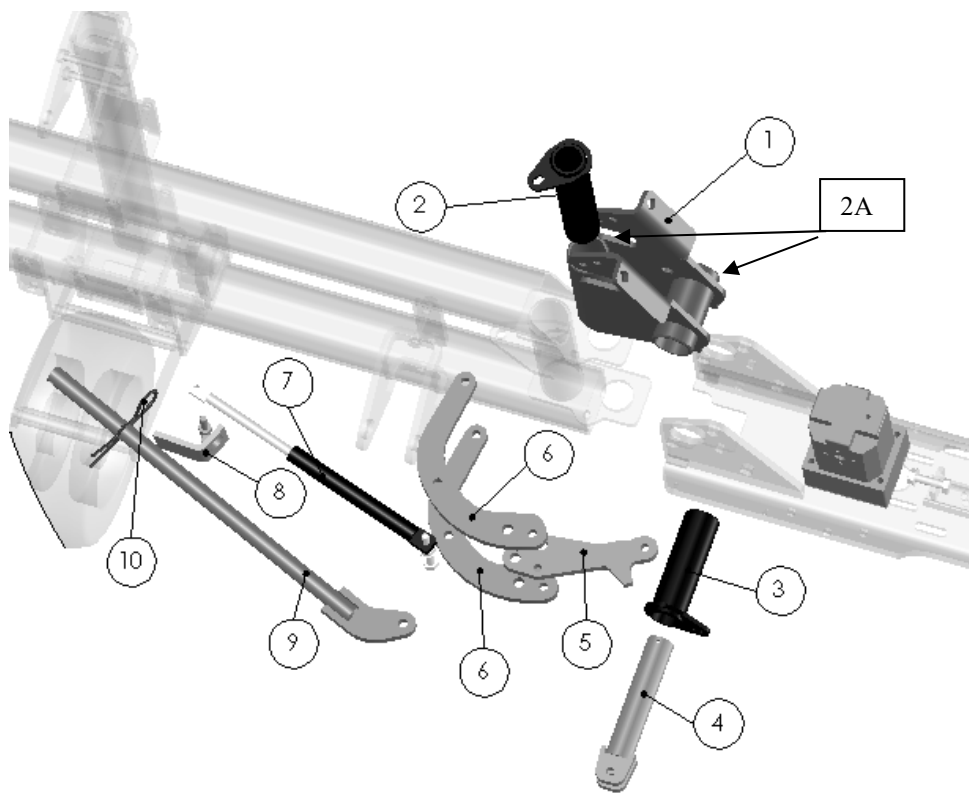
Spare part list

CMN V-Trimmer Type BAWI2500

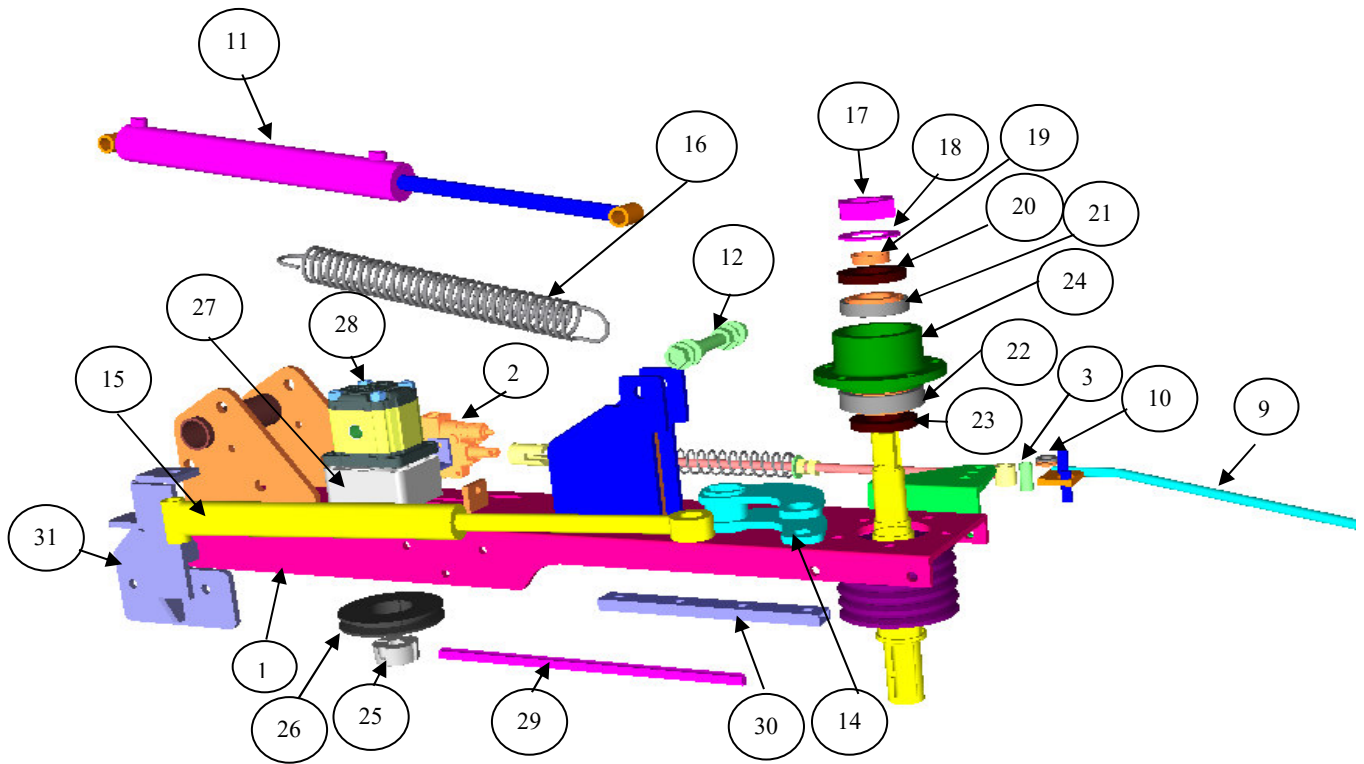
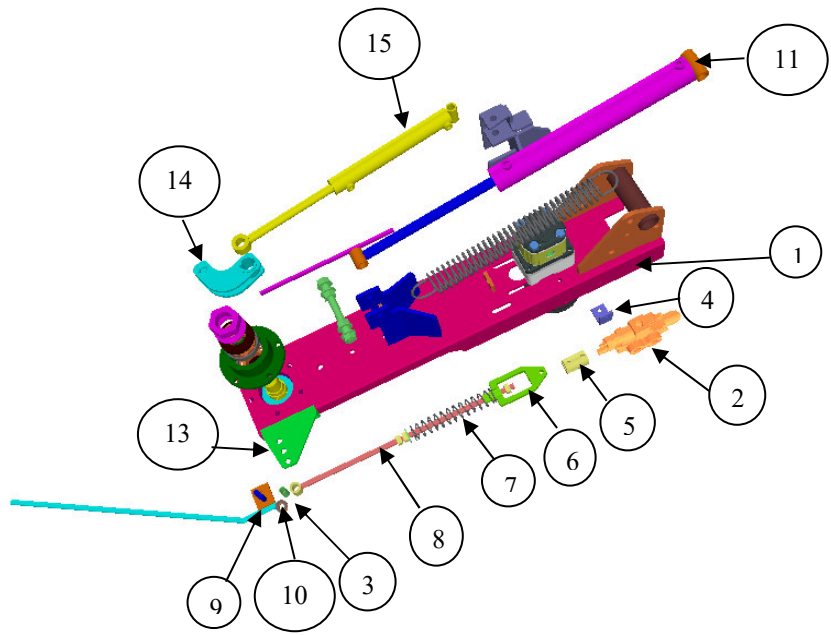




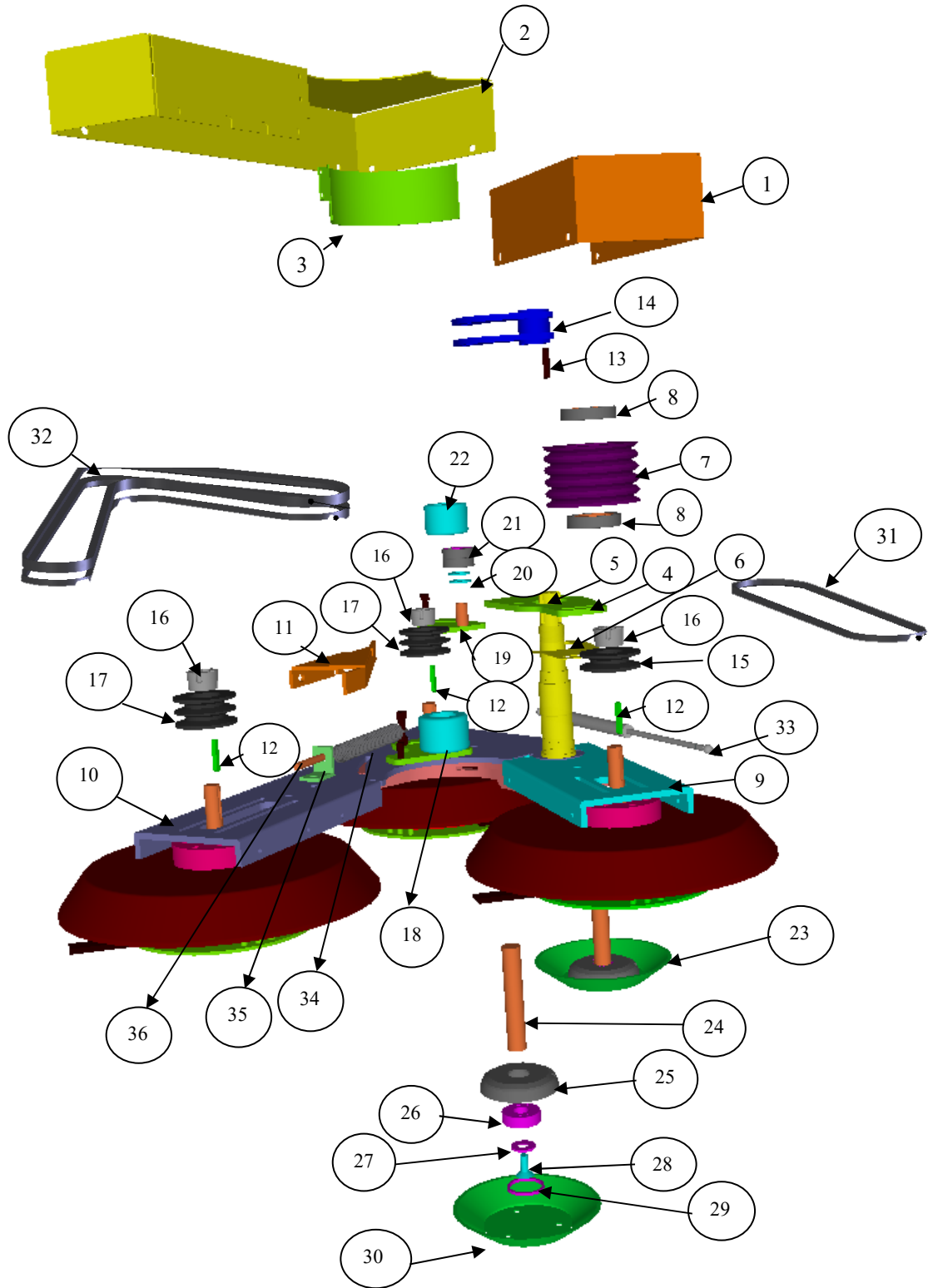
Pos.	Part number	Description	Quantity
1	BAWI2500-100210	Mainframe	1
2	SARP6060	Tube top link bracket 60x60x5	1
3	BAWI2500-100214	Fastening clamp top link	1
4	BAWI2500100114	Clamping plate	4
5	BAWI2500-100204	Holder towing arm	2
6	BAWI2500-100115A	Frame bracket wheel holder right	1
6	BAWI2500-100115B	Frame bracket wheel holder left	1
7	BAWI2500-100116	Wheel holder	1
8	BAWI.1042	Wheel shaft	1
9	BAWI.8377	Wheel complete	1
10	BAWI2500-100205	Top link bracket	1



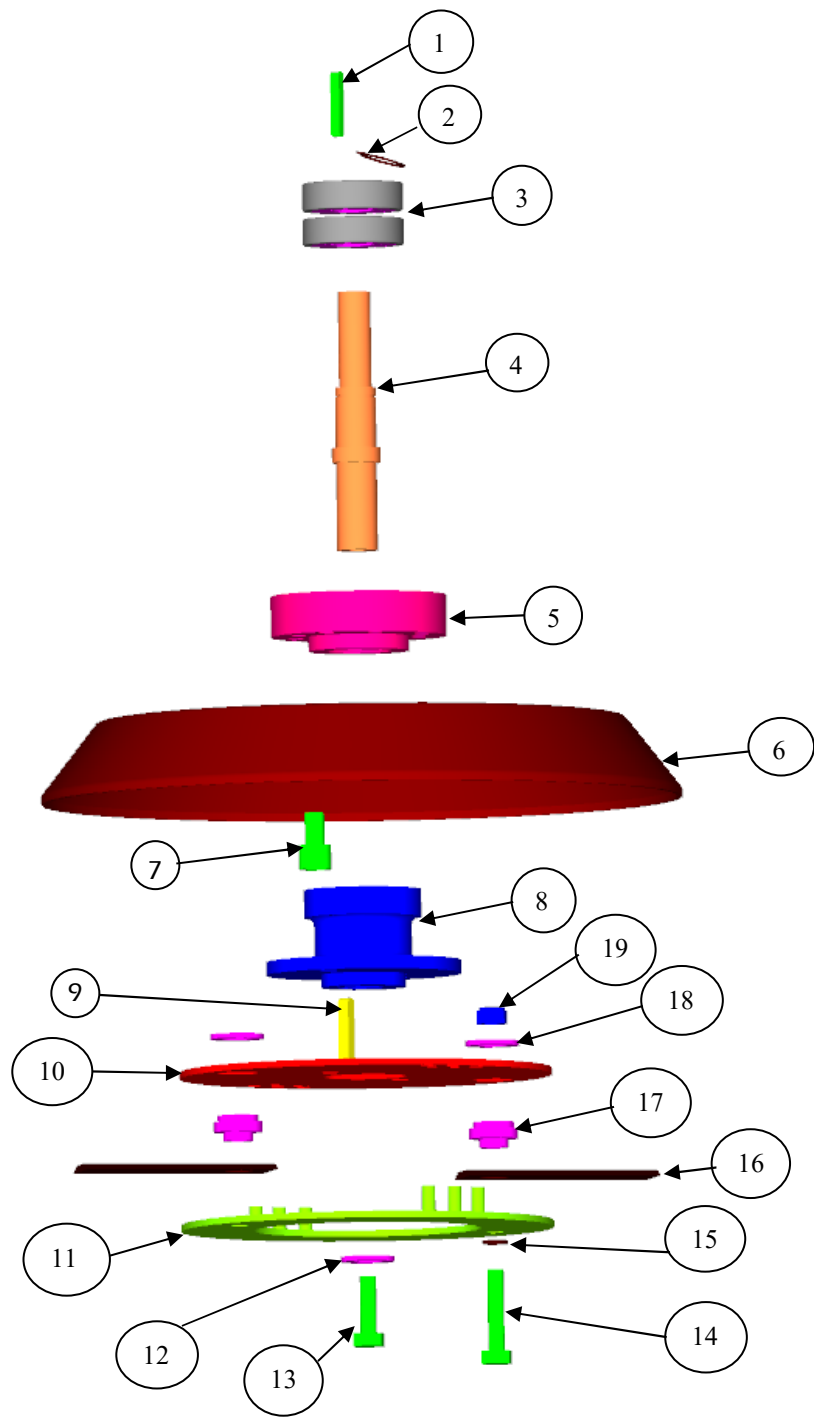
Pos.	Part number	Description	Quantity
1	BAWI2500-100101	Joint console	1
2	BAWI2500-100103	Rivet bolt	1
2A	BAWI.GFM-4550-25	Slide bearing	4
3	BAWI2500-100104	Rivet bolt for joint	1
4	BAWI2500-100105	Hinge bolt	1
5	BAWI2500-100108	Overload hinge	1
6	BAWI2500-100107	Overload pivot hinge	2
7	BAWI.5587458	Shock absorber	2
8	BAWI2500-100112	Holder for shock absorber	1
9	BAWI2500-1001110	Joint rod	1
10	SP804	Linchpin	1



Pos.	Part number	Description	Quantity
1	BAWI2500-100342	Long boom	1
2	OT181083	Valve	1
3	Ø15x2x25	Bushing	1
4	BAWI2500-100344A	Angle bracket	1
5	BAWI2500-100288	Connection for sensor	1
6	BAWI2500-100287	Bracket for sensor	1
7	BAWI.9014148	Pressure spring	1
8	BAWI2500-100320	Adjustment arm	1
9	BAWI2500-100319	Activating arm	1
10	A.51101	Axial bearing	1
11	BAWI2500-100402	Cylinder for folding up	1
12	SAG16x180B	Threaded bolt with bushing	1
13	BAWI2500-100318	Angle bracket for sensor	1
14	BAWI2500-100349	Connector for cylinder	1
15	BAWI2500-100401	Cylinder for rotary head	1
16	BAWI.9033229	Tension spring f. cutting head	2
17	M0035	Nut 35mm	1
18	S35000	Washer 35mm	1
19	Ø40x2x10	Bushing	1
20	OMS407210	Oil sealing ring	1
21	30208A	Tapered roller bearing	1
22	30208A	Tapered roller bearing	1
23	OMS508010	Oil sealing ring	1
24	BAWI2500-100025	Bearing housing	1
25	A.1610/18	Split bushing	1
26	SPA125/1-1610	Pulley	1
27	H2450.25602	Pulley bearing	1
28	BAWI.VIX2M4701EBBF	Hydraulic motor	1
29	A.SPAX1632	V-belt	1
30	BAWI2500-100344	Reinforcement	1
31	BAWI2500-100350	Cylinder console	1



Pos.	Part number	Description	Quantity
1	BAWI2500-100246	Shield small	1
2	BAWI2500-100245	Shield big	1
3	BAWI2500-100251	Shield curved	1
4	BAWI2500-100271	Console plate	1
5	BAWI2500-100277	Main console	1
6	BAWI2500-100288	1mm Spacer plate	1
7	BAWI2500-100024	V-pulley	1
8	A.6009EE	Grooved ball bearing	2
9	BAWI2500-100337	Arm for cutting head	1
10	BAWI2500-100243	Swivel arm for cutting head	1
11	BAWI2500-100253	Sliding plate	1
12	A.FEDA6x6x40	Feather key	3
13	A.FEDA10x8x40	Adjusting spring Feather key	1
14	2500-100287	Cylinder connection	1
15	A.SPA71/1-1108	V-pulley simple	1
16	A.1108/20	Clamping sleeve	3
17	A.SPA71/2-1108	V-pulley double	2
18	BAWI2500-100270	Belt tensioner complete set	1
19	BAWI2500-100273	Belt tensioner console plate	1
20	S20000	Washer 20mm	2
21	A.6204-2RS	Grooved ball bearing	2
22	BAWI2500.100272	Disc for belt tensioner	1
	S10000a	Washer 10mm Din9021	1
	B10020	Bolt M10 x 20	1
23	BAWI2500-100355K	Sliding disc complete	1
24	BAWI2500-100356	Shaft for sliding disc	1
25	BAWI.955.071	Cover for bearing housing	1
26	A.6305-2RS	Grooved ball bearing	1
27	S12000a	Washer 12mm Din9021	1
28	U10025	Hexagonal screw	1
	U0816	Hexagonal screw	3
29	SAR60/4x6	Spacer ring	1
30	BAWI2500.100355	Sliding disc	1
31	A.SPAX782	V-belt	1
32	A.SPAX 1857	V-belt	2
33	BAWI.5586867	Gas cylinder for cutting head	1
34	BAWI.9012939	Tension spring	1
35	BAWI2500-100344A	Angle bracket	1
36	SAG10.975x100	Thread tensioner	1



BAWI10.2500-01 Klippehoved komplet uden remskive

Pos.	Part number	Description	Quantity
1	A.FEDA6x6x40	Feather key	1
2	LR25	Lock ring	1
3	A.6205EE	Grooved ball bearing	2
4	BAWI2500-100264	Shaft for rotor	1
5	BAWI2500-100275	Bearing housing	1
6	BAWI2500-100257	Shield for cutting head	1
7	U10020	Hexagonal screw	4
8	2500-100256	Holder for cutting head	1
9	A.FEDA8x7x40	Feather key	1
10	BAWI2500-100332A	Top disc for cutting head	1
11	BAWI2500-100332B	Lower disc for cutting head	1
12	S1000A	Washer 10mm	1
13	B10025	Bolt	1
14	B10050	Bolt	1
15	S1000	Washer 10mm	2
16	BAWI564.512.10KR	Knife	2
17	BAWI.GFM-4550-25	Plain bearing	2
18	S1000A	Washer 10mm	2
19	M11	Lock nut 10mm	2